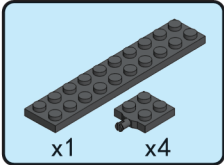
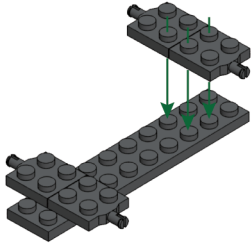


- x4 x4 x2 x2 x2 x2 x2 x2 x3 x5 x2 x2 x3 x2 x2 x2 x2 x2 x2 x1 x12 x7
- x2 x4 x4 x2 x1 x3 x1 x1 x1 x1 x1 x1 x1 x1 x4 x4 x1 x2
- x1 x1 x1 x4 x1 x2 x4 x1 x3 x2 x2 x2 x1 x4 x2
- x1 x1 x2 x3 x1 x1 x1 x1 x1

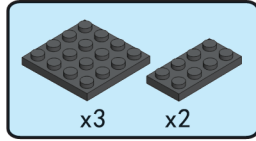
A1



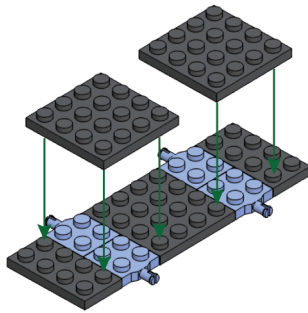
x1 x4



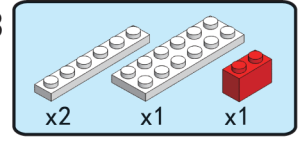
A2



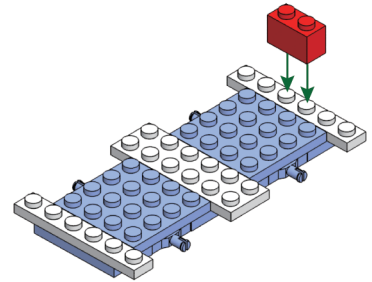
x3 x2



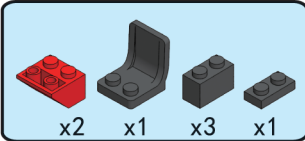
A3



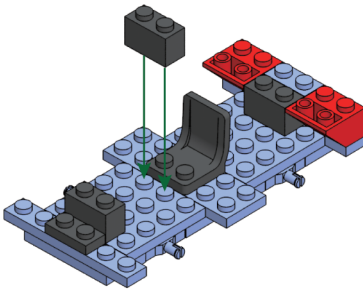
x2 x1 x1



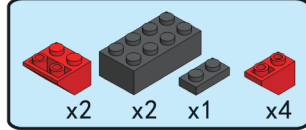
A4



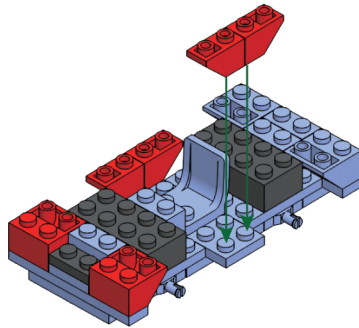
x2 x1 x3 x1



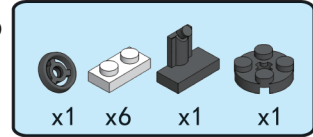
A5



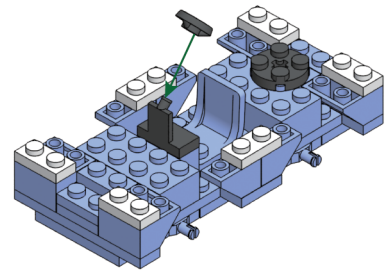
x2 x2 x1 x4



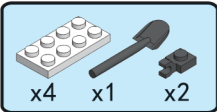
A6



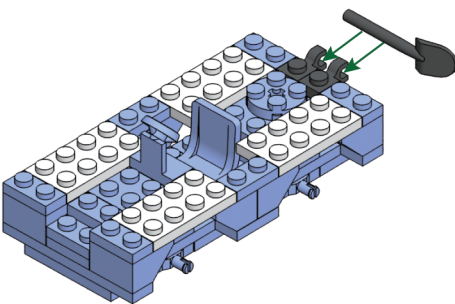
x1 x6 x1 x1



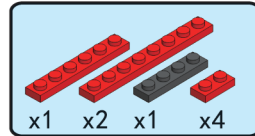
A7



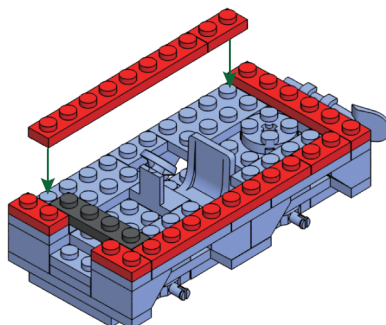
x4 x1 x2



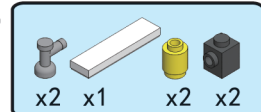
A8



x1 x2 x1 x4



A9



x2 x1 x2 x2

