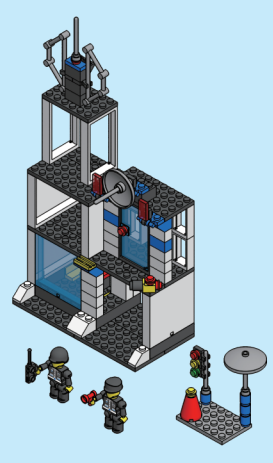


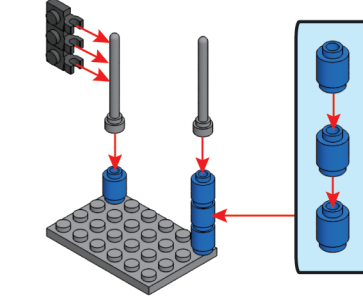
alle  
blox



- x4 x4 x2 x2 x2 x2 x2 x1 x1 x2 x5 x1 x6 x2 x4 x1 x1 x1
- x2 x1 x1 x3 x2 x2 x12 x2 x2 x1 x1 x3 x1 x1
- x2 x1 x4 x2 x4 x3 x1 x3 x2 x2 x1
- x1 x2 x1 x1 x4 x1 x4 x1 x8

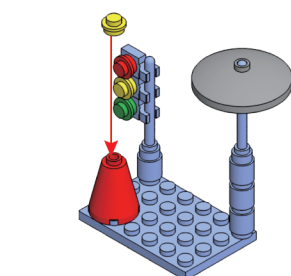
A1

- x4 x1 x2 x3



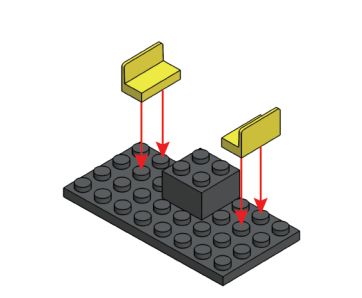
A2

- x1 x1 x2 x1 x1



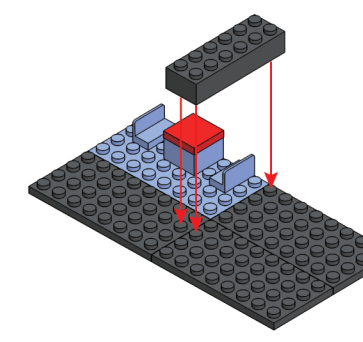
A3

- x1 x1 x2



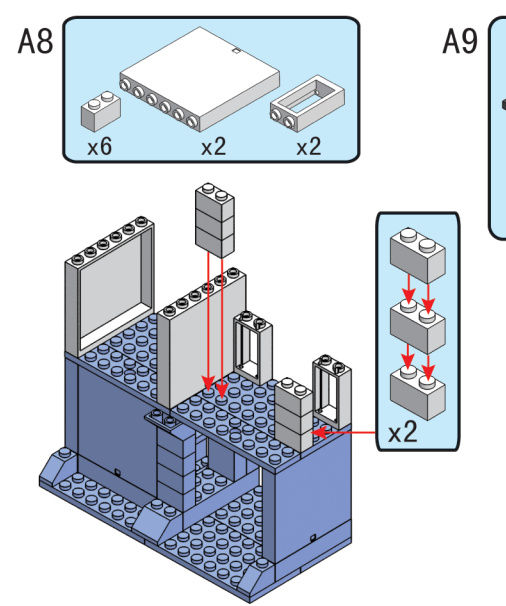
A4

- x3 x1 x1



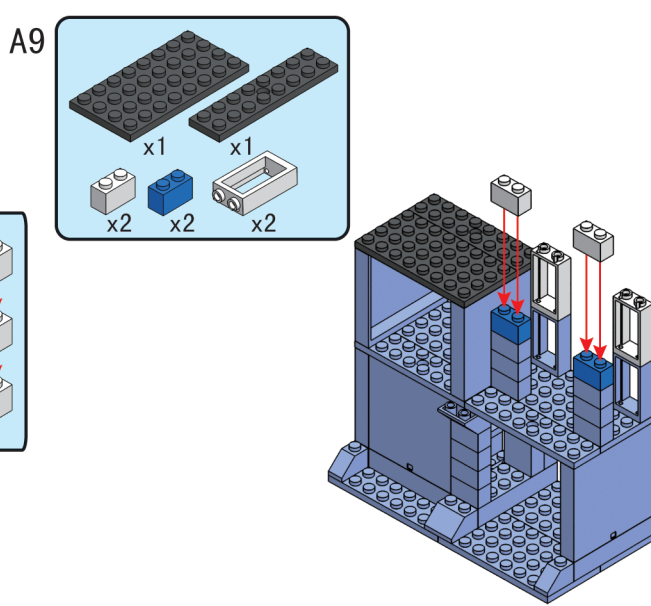
A5

- x2 x3 x1



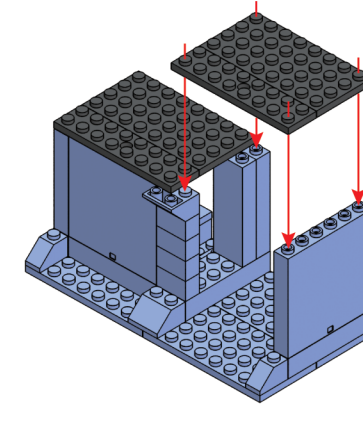
A6

- x1 x2 x1 x3 x2 x1



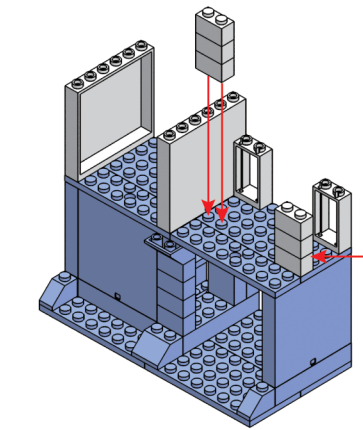
A7

- x2 x2



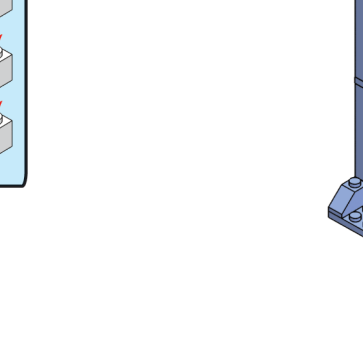
A8

- x6 x2 x2



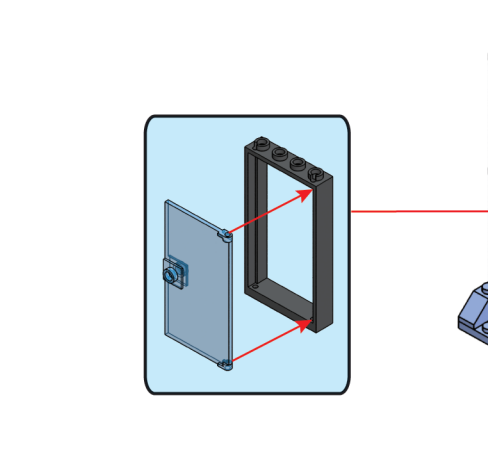
A9

- x1 x1 x2 x2 x2



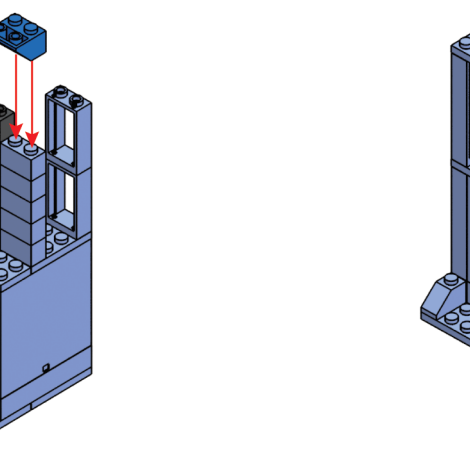
A10

- x1 x2 x1 x2



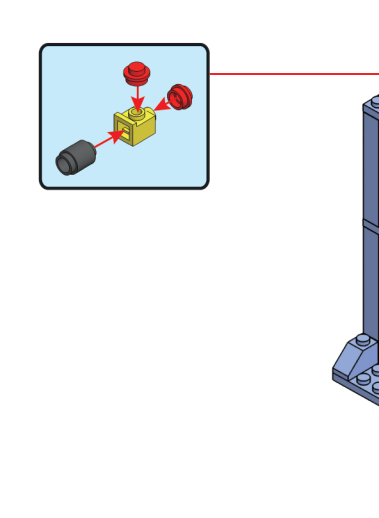
A11

- x1 x1 x1 x1



A12

- x1 x2 x1 x3 x3



A13

- x2 x1 x1 x3



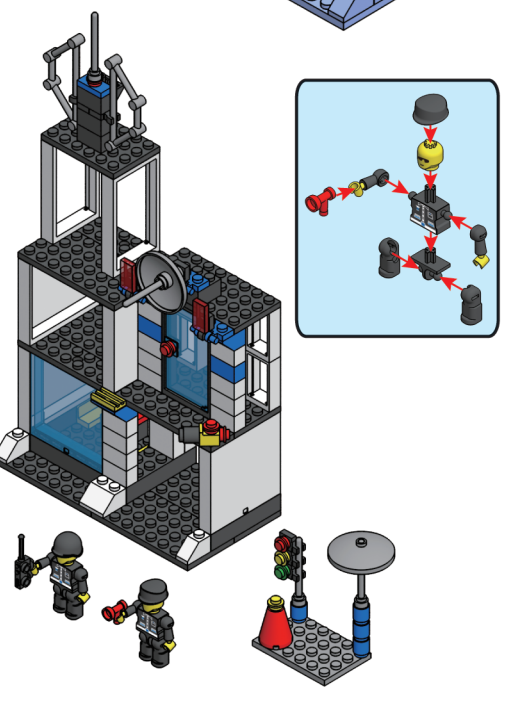
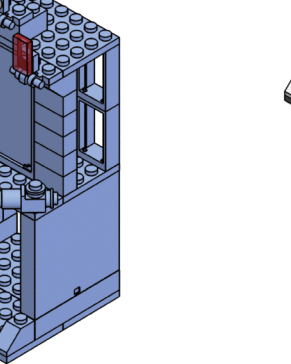
A14

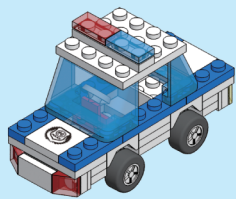
- x2 x1 x2



A15

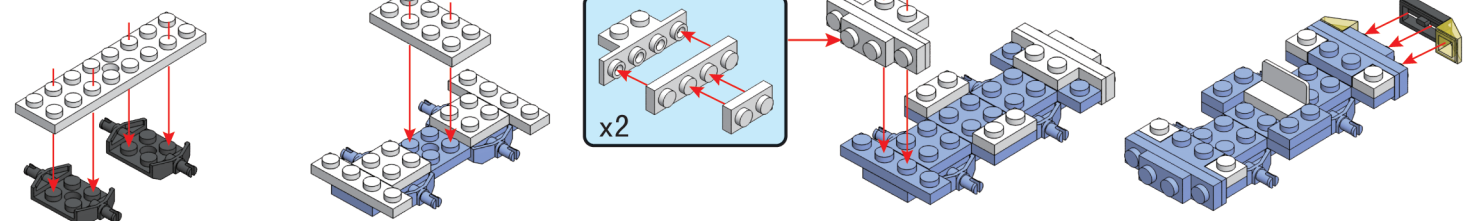
- x1 x1 x1 x1 x1 x1 x1 x1



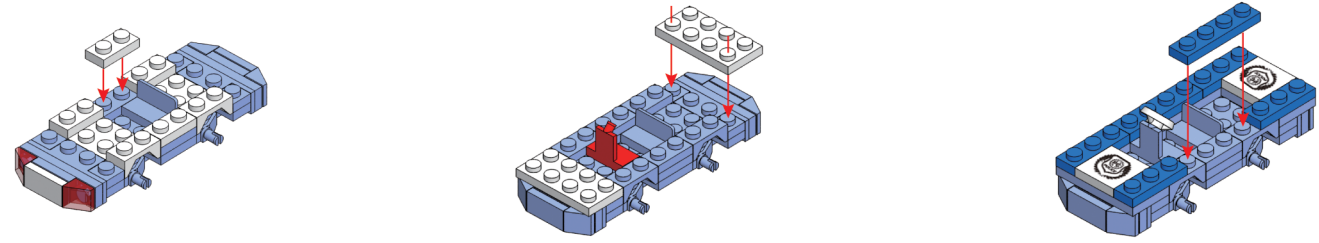


- x4 1x1 white, x2 1x2 yellow, x2 1x2 red, x4 1x4 grey, x4 1x4 black, x1 1x1 grey, x1 1x1 red, x1 1x1 blue, x1 1x1 white, x1 1x1 black, x6 1x1 white, x1 1x1 white, x4 1x4 blue, x2 1x2 white, x2 1x2 white, x5 1x5 white, x2 1x2 blue
- x2 1x2 grey, x2 1x2 black, x3 1x3 grey, x2 1x2 blue, x2 1x2 blue, x1 1x1 white, x1 1x1 white

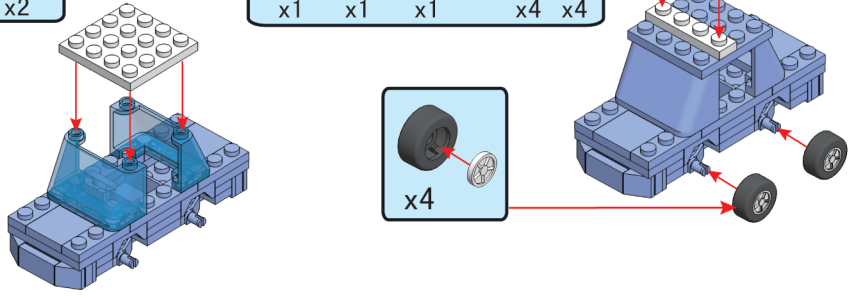
- A1: x1 1x2 grey, x2 1x2 black
- A2: x2 1x2 grey, x1 1x1 white, x2 1x2 white
- A3: x4 1x2 grey, x2 1x2 white, x2 1x2 white
- A4: x2 1x2 yellow, x1 1x1 white, x1 1x1 black, x4 1x1 white



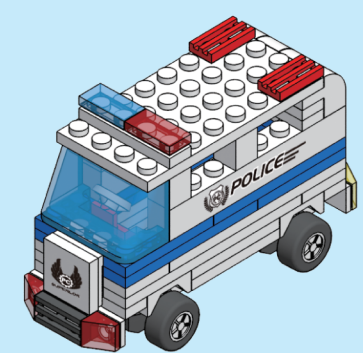
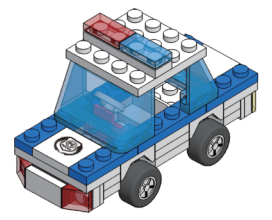
- A5: x2 1x2 red, x2 1x2 white, x2 1x2 white, x1 1x1 white
- A6: x2 1x2 white, x1 1x1 red
- A7: x4 1x2 blue, x2 1x2 white, x2 1x2 white, x1 1x1 grey



- A8: x1 1x2 grey, x2 1x2 blue
- A9: x1 1x2 red, x1 1x2 blue, x1 1x2 white, x4 1x4 black, x4 1x4 grey

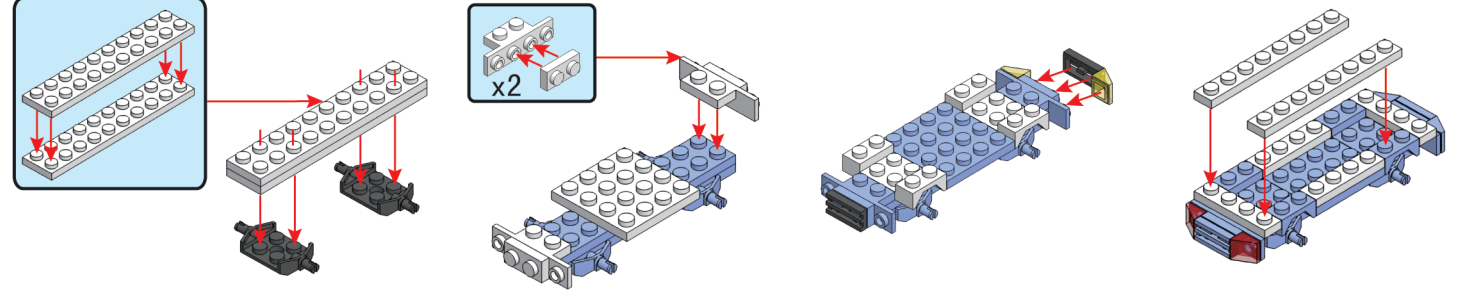


- A10: x4 1x4 black, x2 1x2 white, x2 1x2 white, x1 1x1 grey

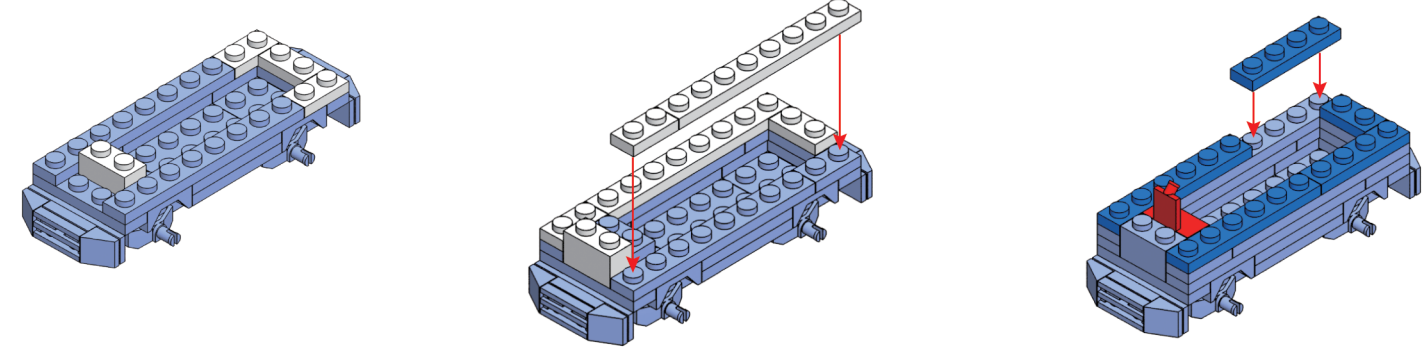


- x2 1x2 yellow, x2 1x2 red, x4 1x4 grey, x4 1x4 black, x4 1x4 black, x1 1x1 grey, x1 1x1 red, x1 1x1 blue, x1 1x1 white, x2 1x2 red, x2 1x2 black, x8 1x1 white, x2 1x2 blue, x4 1x4 white, x3 1x3 white
- x1 1x1 white, x7 1x2 white, x4 1x4 blue, x2 1x2 grey, x2 1x2 black, x1 1x1 white, x4 1x4 blue, x4 1x4 grey, x2 1x2 white, x2 1x2 white, x1 1x1 blue
- x1 1x2 grey, x2 1x2 white, x1 1x1 white

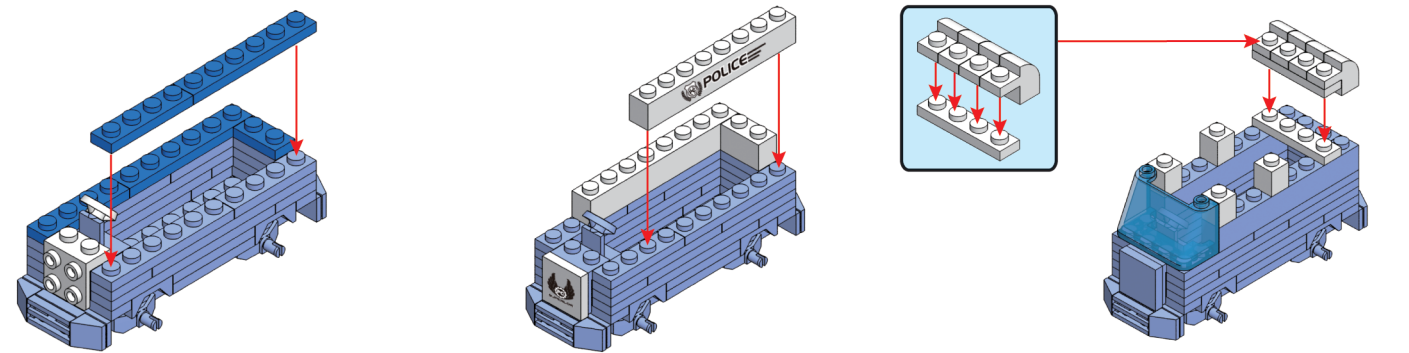
- B1: x2 1x2 grey, x2 1x2 black
- B2: x1 1x2 white, x2 1x2 white, x2 1x2 white
- B3: x2 1x2 white, x2 1x2 white, x2 1x2 white
- B4: x2 1x2 white, x4 1x4 white, x2 1x2 red



- B5: x1 1x2 white, x3 1x3 white
- B6: x2 1x2 white, x1 1x1 white, x3 1x3 white
- B7: x1 1x2 blue, x2 1x2 blue, x2 1x2 blue, x1 1x1 red



- B8: x1 1x2 blue, x2 1x2 blue, x2 1x2 blue, x1 1x1 grey, x1 1x1 white
- B9: x1 1x2 white, x1 1x2 white, x1 1x2 white, x1 1x1 white
- B10: x4 1x4 blue, x1 1x1 blue, x2 1x2 white, x4 1x4 white



- B11: x1 1x2 grey, x1 1x1 white, x2 1x2 red
- B12: x1 1x2 red, x1 1x2 blue, x4 1x4 black, x4 1x4 grey

