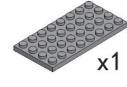
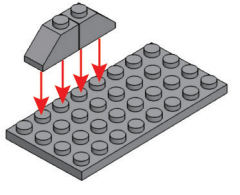


- x3
- x1
- x4
- x1
- x3
- x1
- x2
- x2
- x2
- x2
- x1
- x1
- x1
- x3
- x1
- x1
- x2
- x1



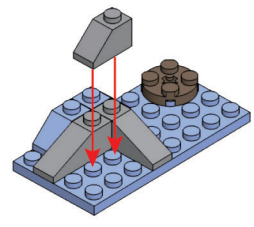
A1

x1 x2



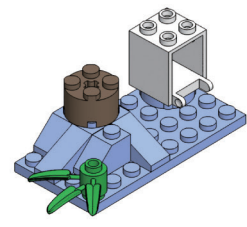
A2

x1 x2 x1



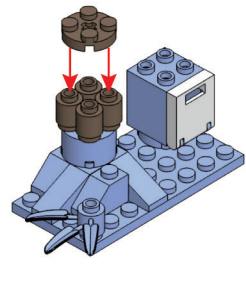
A3

x1 x1 x1



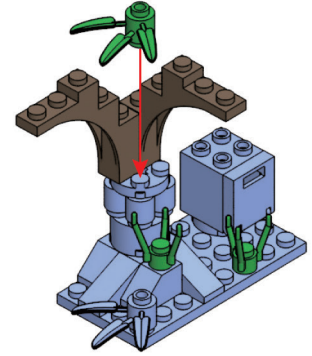
A4

x1 x4 x1



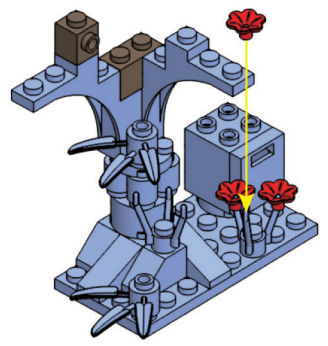
A5

x2 x2 x1



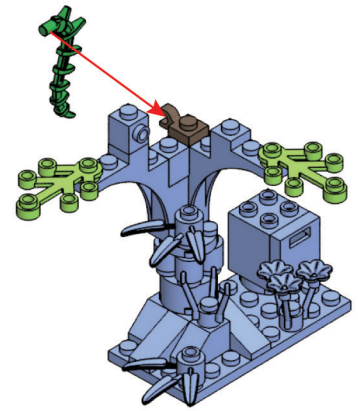
A6

x1 x1 x3



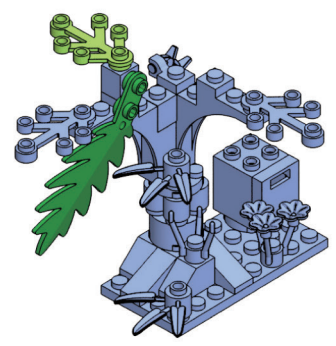
A7

x1 x2 x1

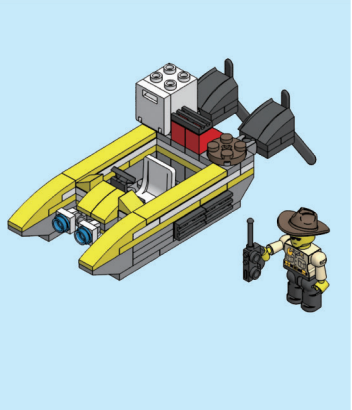


A8

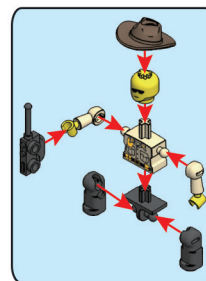
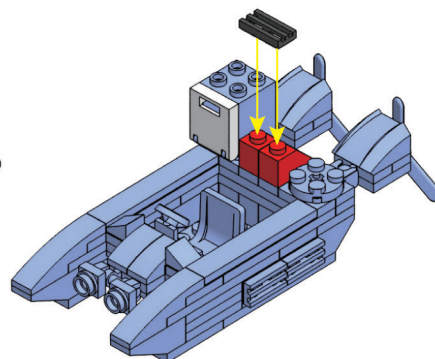
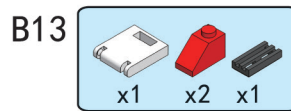
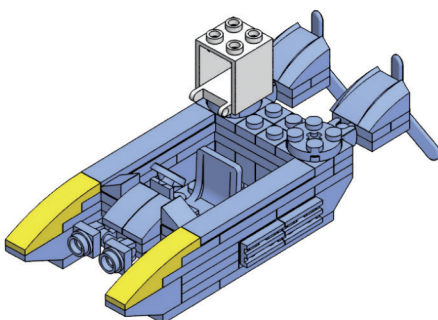
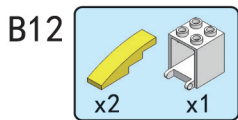
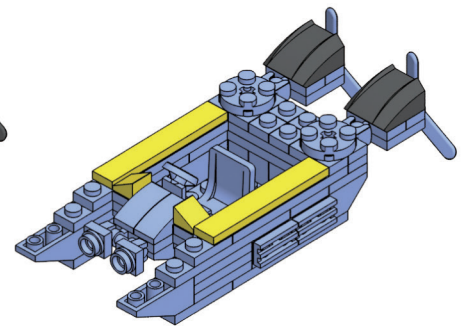
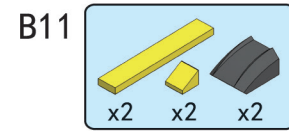
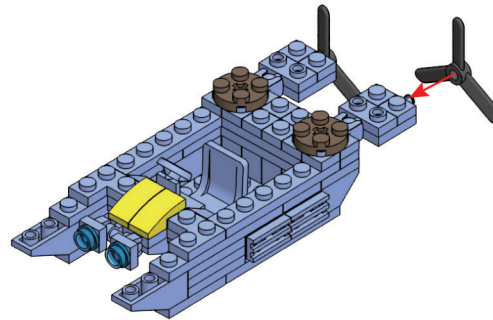
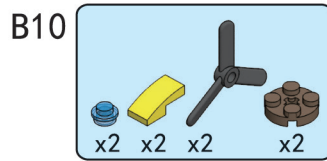
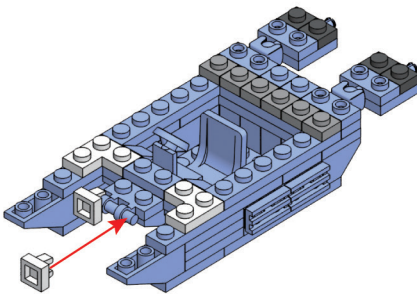
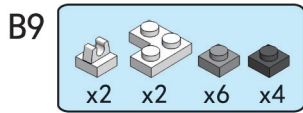
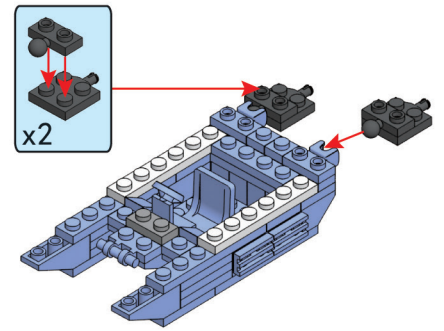
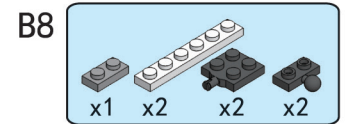
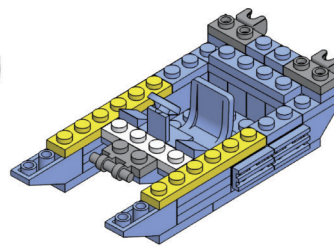
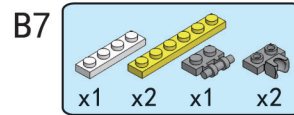
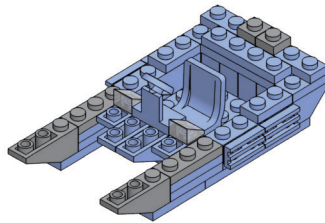
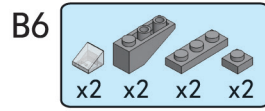
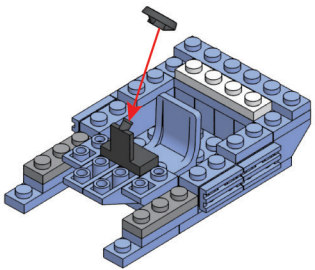
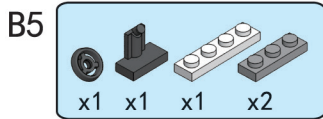
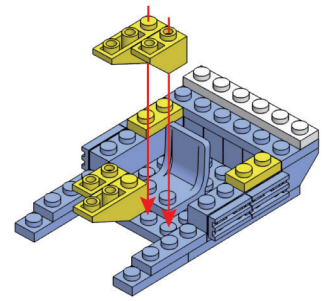
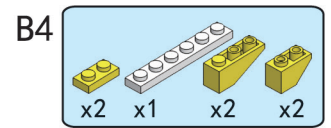
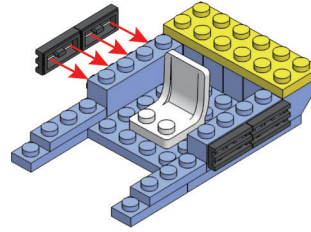
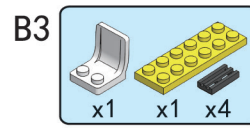
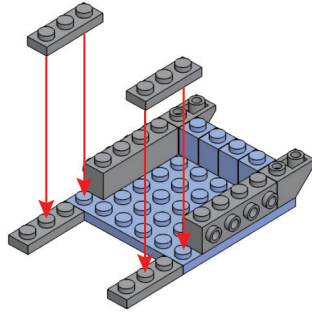
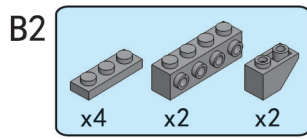
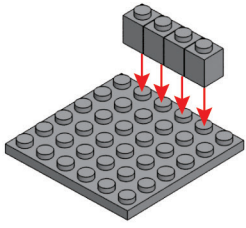
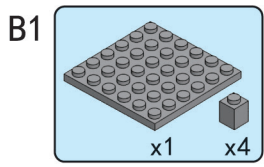
x1 x1



A9



- x2
- x2
- x1
- x1
- x1
- x1
- x1
- x1
- x2
- x4
- x8
- x2
- x2
- x2
- x4
- x5
- x2
- x1
- x1
- x2
- x2
- x2
- x2
- x2
- x2
- x1
- x1
- x1
- x2
- x8
- x2
- x2
- x2
- x2
- x2
- x2
- x2
- x2
- x2
- x2
- x1
- x1
- x2
- x2
- x3
- x1
- x1



B14

