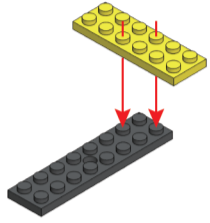


- x4 x2 x2 x1 x1 x1 x1 x1 x1 x1 x1 x1 x1 x2 x1 x1 x2
- x19 x2 x4 x4 x2 x1 x12 x1 x1 x1 x1 x2 x2 x1 x1 x1 x1 x6 x2 x4 x4 x4 x4 x2 x2
- x1 x1 x9 x5 x28 x3 x1 x7 x1 x1 x1 x1 x1 x4 x1 x1 x3 x1 x2 x1 x4 x4
- x7 x1 x1 x2 x2 x2 x1 x5 x1 x4 x1 x2 x2 x1 x4 x1

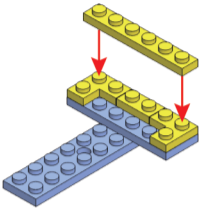
A1

x1 x1



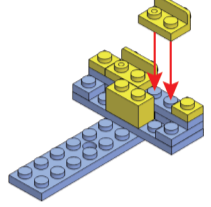
A2

x2 x1 x1



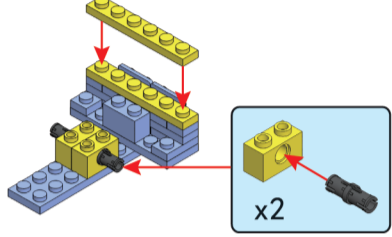
A3

x2 x1 x2



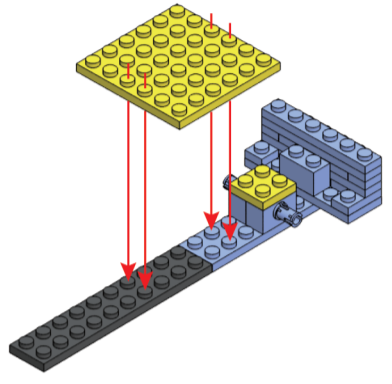
A4

x2 x2 x2



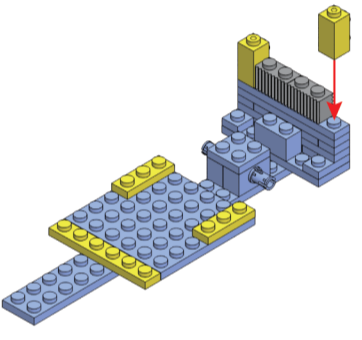
A5

x1 x1 x1



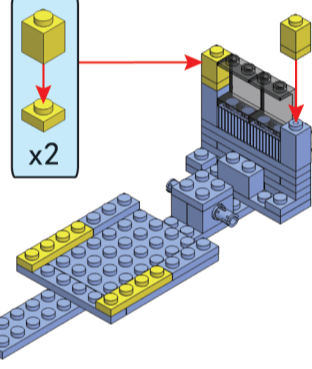
A6

x2 x1 x2 x2



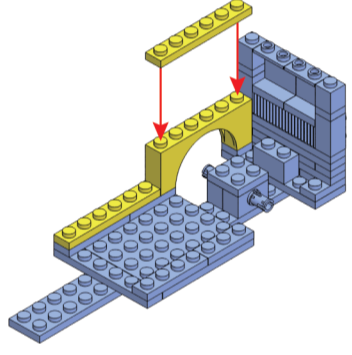
A7

x2 x2 x2 x2



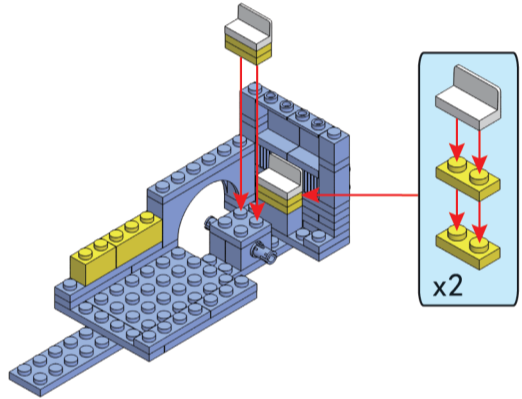
A8

x1 x2



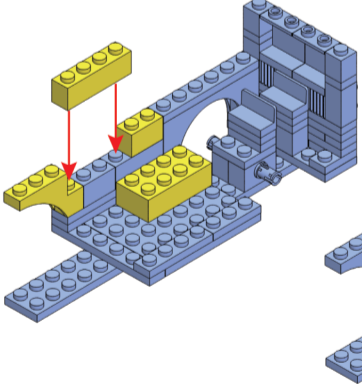
A9

x4 x1 x1 x2



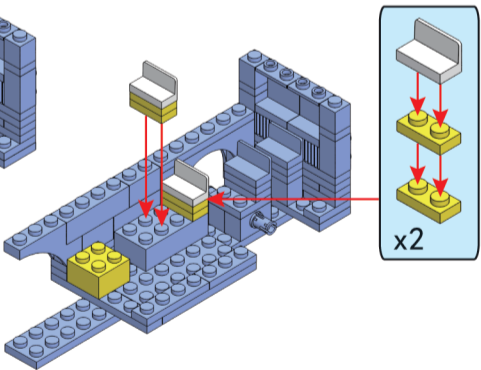
A10

x1 x1 x1 x1



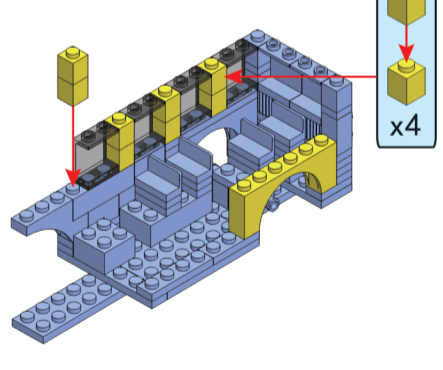
A11

x2 x1 x4



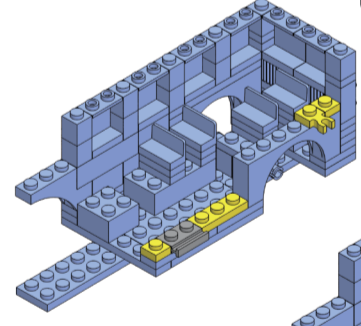
A12

x1 x8 x4



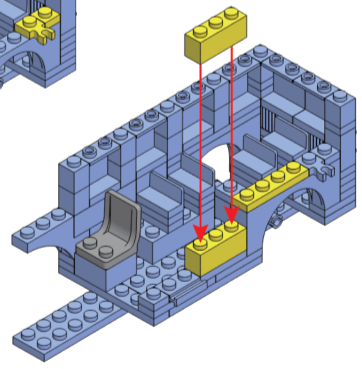
A13

x2 x1 x1 x1



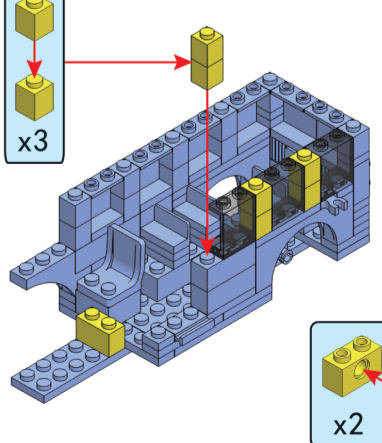
A14

x1 x2 x1



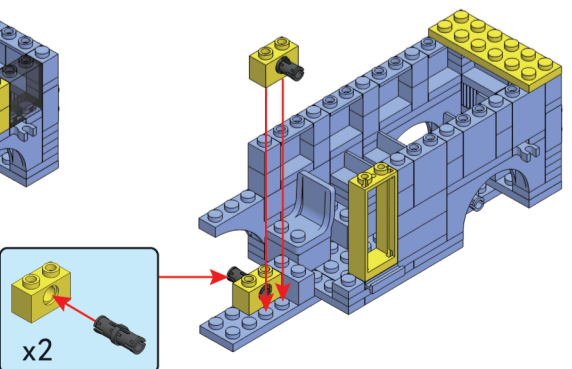
A15

x1 x3 x6



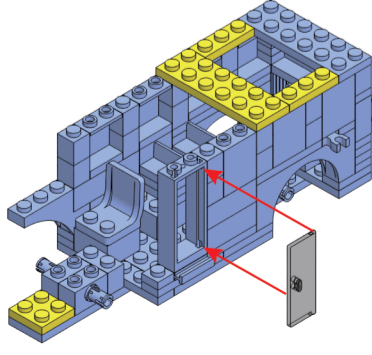
A16

x2 x1 x1 x2



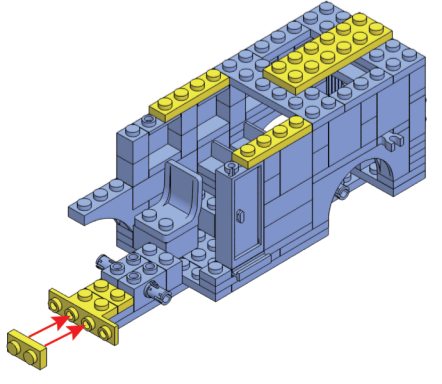
A17

x1 x2 x1 x1



A18

x2 x1 x2 x1



A19

x1 x1 x2 x1

A20

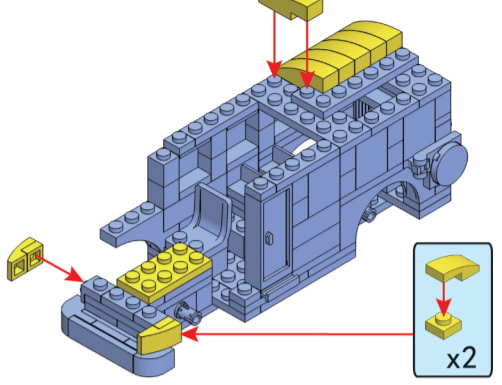
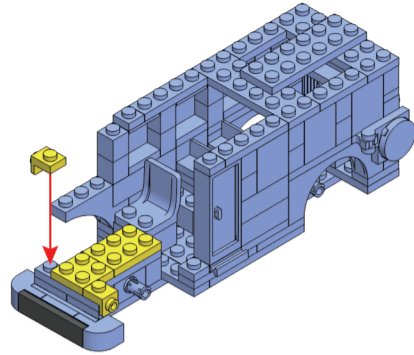
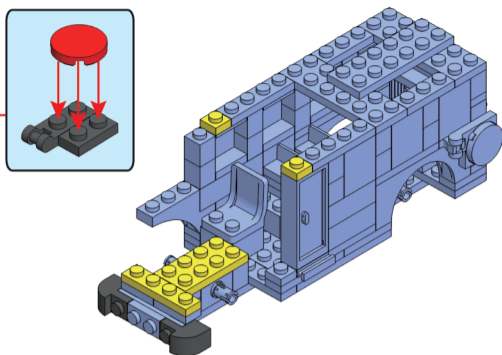
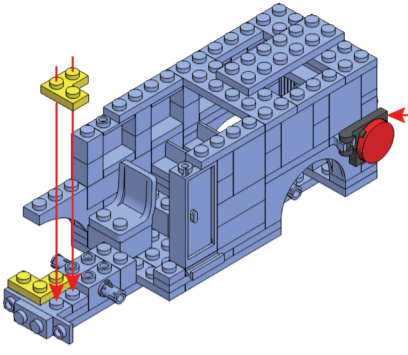
x2 x1 x1 x2

A21

x2 x1 x1 x1 **1x4**

A22

x6 x2 x1 x2



A23

x6 x1 x1

A24

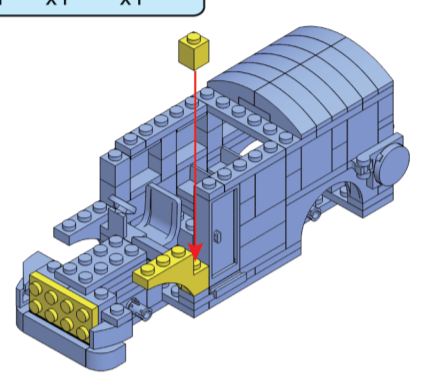
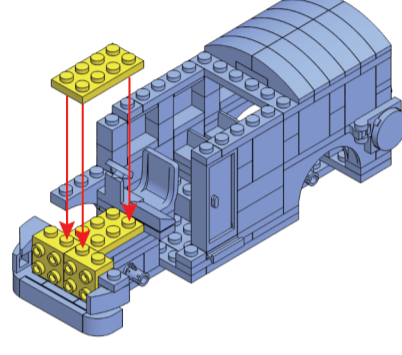
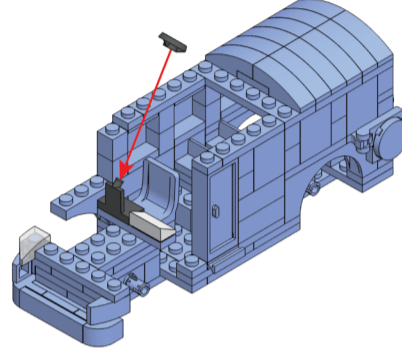
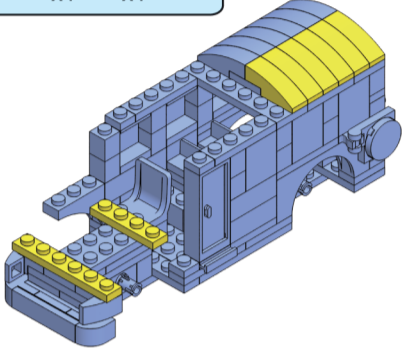
x1 x1 x1 x1

A25

x1 x1 x2

A26

x1 x1 x1



A27

x1 x2 x4

A28

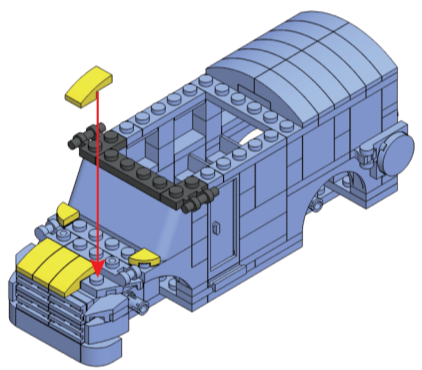
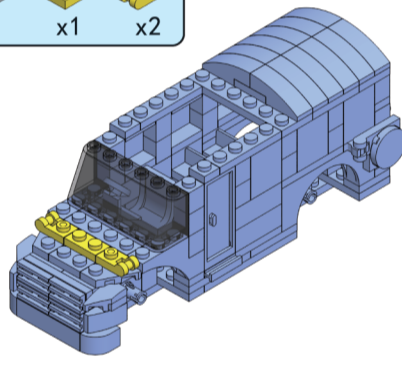
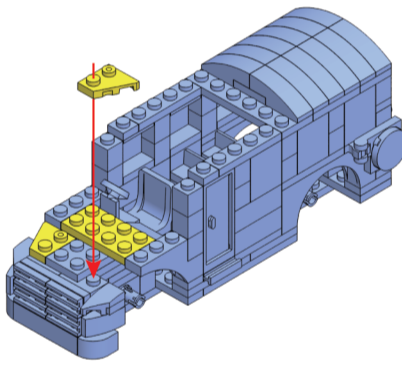
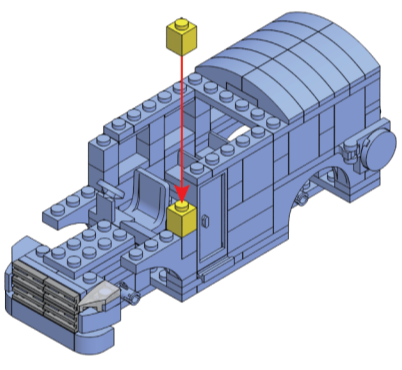
x1 x1 x1

A29

x1 x1 x2

A30

x2 x4 x1 x2



A31

x2 x2 x1 x2 **2x4** **1x2**

A32

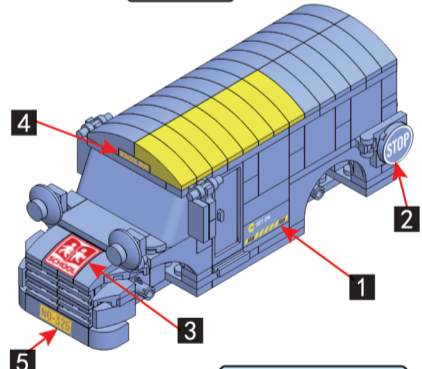
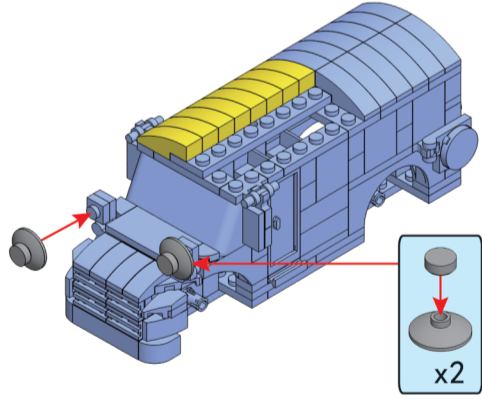
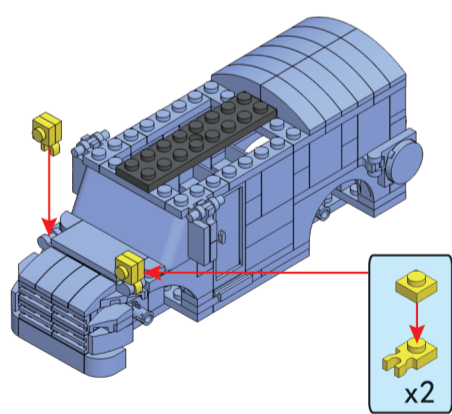
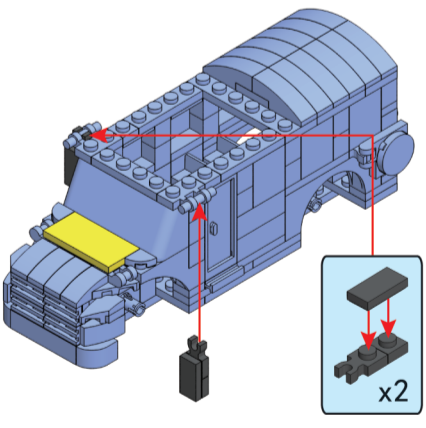
x1 x2 x2

A33

x2 x8 x2

A34

x8

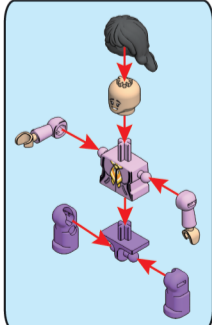


A35

x2 x1 x2

A36

x4 x4 x2



A37

